

Wall Poles



Wall Poles

The WP and CP ranges have, for many years, provided the industry standard solution for many camera mounting situations. Available in standard heights up to 6 metres with stand off brackets from flush to 1000mm, both the wall and corner poles provide an excellent platform for obtaining an elevated viewpoint from existing structures.

Design Features

- A cost-effective solution for achieving desired camera height.
- Off the shelf heights up to 6 metres.
- Standard models give up to 4 metres clearance above roofs, parapets and walls.
- Rigid structure ensures excellent stability characteristics.
- Various stand off brackets to clear facias, gutters and copings.
- Modular construction for ease of transportation and erection.
- Wall and corner mounted versions available.
- Hot dipped galvanised finish for maximum weather protection and low maintenance requirements.
- Custom and bespoke versions tailored to the customer's requirements.

General Specifications

- Standard pan and tilt fixing of 101.6 PCD.
- Stand off brackets 000mm/150mm/300mm/500mm/1000mm.
- Compatible with WEC adaptors, accessories and anti-climbs.
- Equipment loading up to 25kg.
- Variety of standard heights up to 6 metres.

Product Codes

- 2.5WP000, 2.5WPI150*, 2.5WP300*, 2.5WP500* 2.5WPI1000
- 3WP000, 3WPI150, 3WP300, 3WP500, 3WPI1000
- 4WP000, 4WPI150*, 4WP300*, 4WP500*, 4WPI1000
- 5WP000, 5WPI150*, 5WP300*, 5WP500*, 5WPI1000
- 6WP000, 6WPI150*, 6WP300*, 6WP500*, 6WPI1000
- 2.5CP000, 2.5CPI150*, 2.5CP300*, 2.5CP500* 2.5CPI1000
- 3CP000, 3CPI150, 3CP300, 3CP500, 3CPI1000
- 4CP000, 4CPI150*, 4CP300*, 4CP500*, 4CPI1000
- 5CP000, 5CPI150*, 5CP300*, 5CP500*, 5CPI1000
- 6CP000, 6CPI150*, 6CP300*, 6CP500*, 6CPI1000

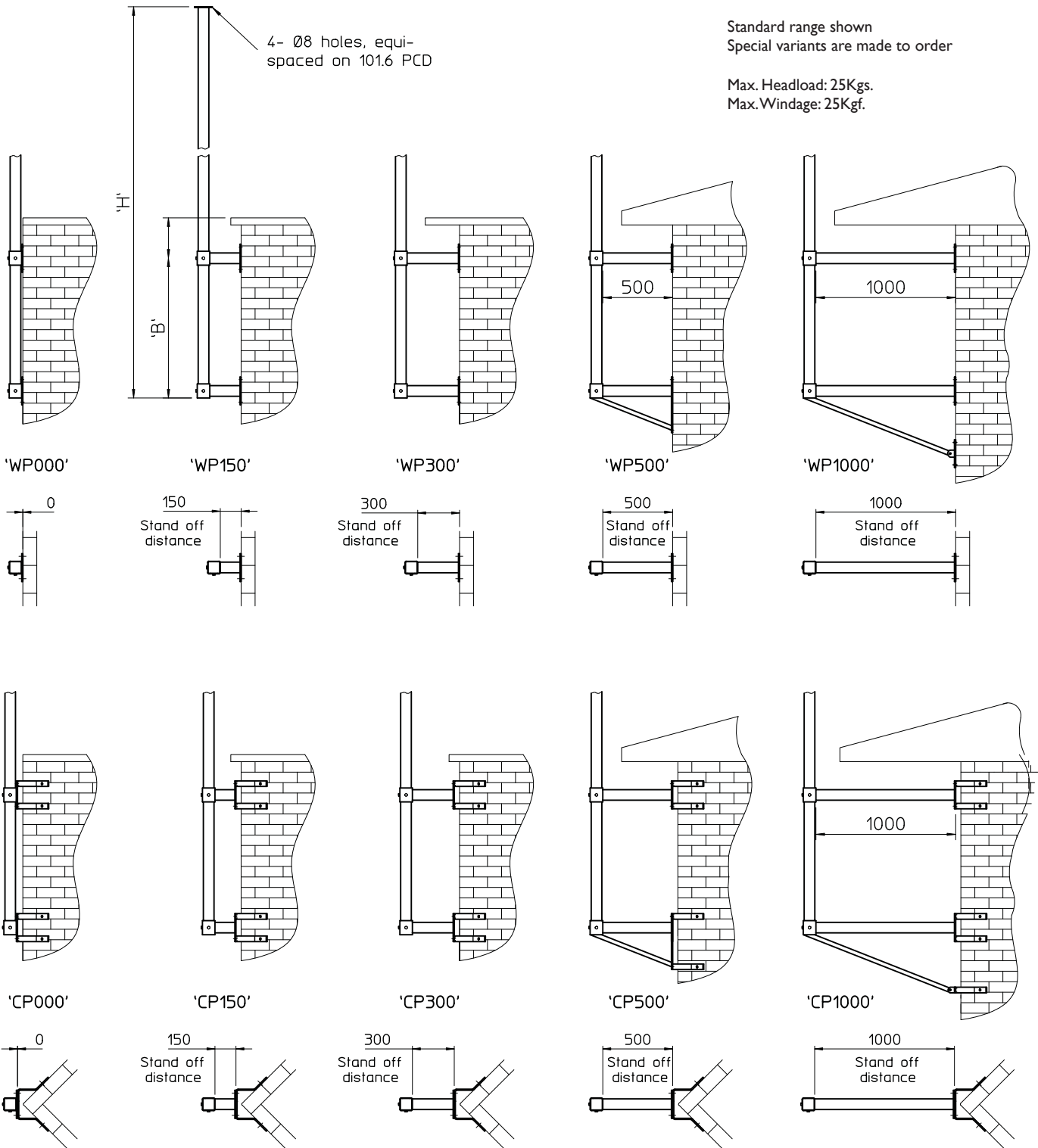
*Ex-stock items



Technical Specification

Model Ref. (mm stand off)	Height 'H'	Approx spacing 'B'	Stand off distance 0	Stand off distance 150	Stand off distance 300	Stand off distance 500	Stand off distance 1000
2.5WP	2.5 mtrs.	850	✓	✓	✓	✓	✓
2.5CP	2.5 mtrs.	850	✓	✓	✓	✓	✓
3WP	3.0 mtrs.	1000	✓	✓	✓	✓	✓
3CP	3.0 mtrs.	1000	✓	✓	✓	✓	✓
4WP	4.0 mtrs.	1300	✓	✓	✓	✓	✓
4CP	4.0 mtrs.	1300	✓	✓	✓	✓	✓
5WP	5.0 mtrs.	1700	✓	✓	✓	✓	✓
5CP	5.0 mtrs.	1700	✓	✓	✓	✓	✓
6WP	6.0 mtrs.	2000	✓	✓	✓	✓	✓
6CP	6.0 mtrs.	2000	✓	✓	✓	✓	✓

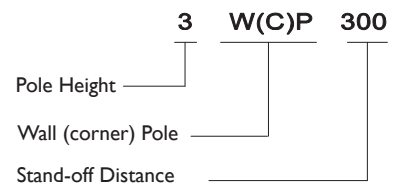
Technical Specification



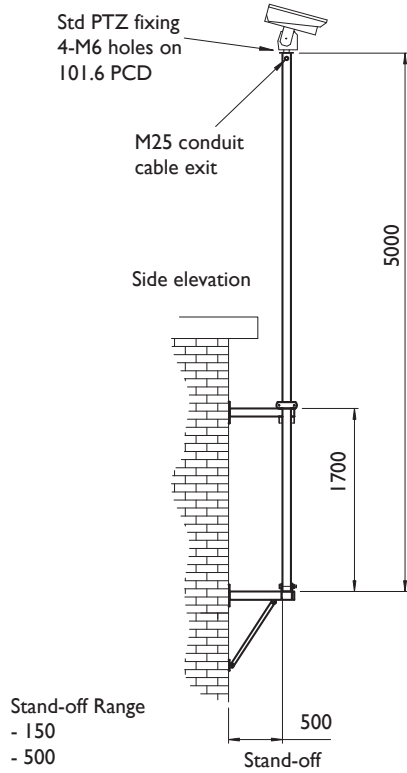
Standards Applicable

- Structural Steelwork: BS EN 10210-1:1994, BS EN 10210-2:1997
- General Steelwork: BS1449:1991, BS1387:1985, BS EN 10025:1993
- Hot Dipped Galvanized: BS EN ISO 1461:2009
- Welding Procedures: Comply with BS EN 1011-2:2001
- Fasteners: Grade 8.8 BS3692:2001, BS4190:2001, DIN931, DIN934
- Design Wind Loading: In accordance with CP3, chapter V Pt 2 & BS 6399 Pt 2:1997
- Paint Finishes: BS4800 and RAL colour range

Product Ref & Ordering Information

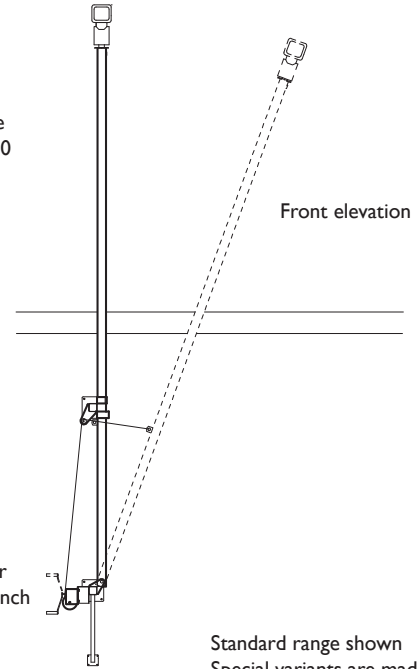


Technical Specification



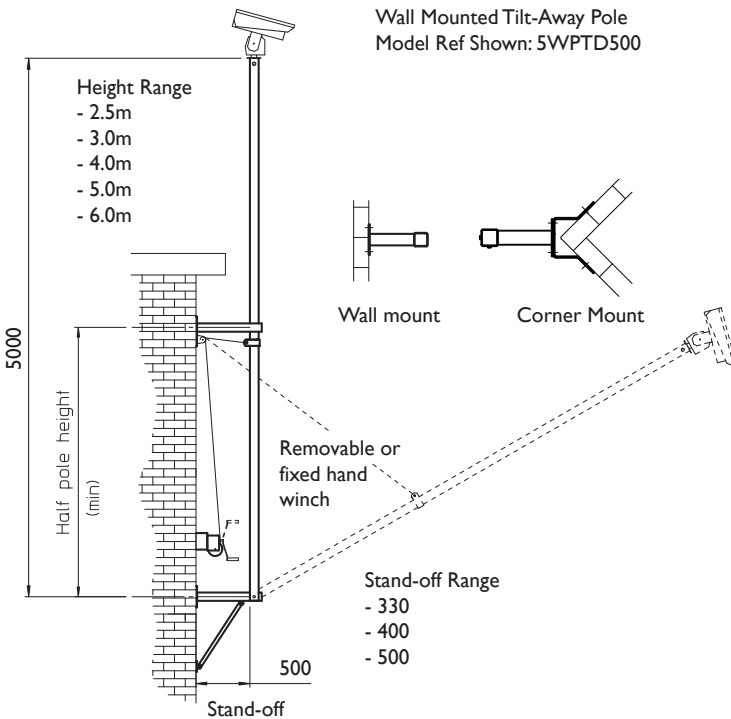
Wall Mounted Tilt-Down Pole
Model Ref Shown: 5WPTD500

Height Range
- 2.5m
- 3.0m
- 4.0m
- 5.0m
- 6.0m



Standard range shown
Special variants are made to order

Max. Headload: 25Kgs.
Max. Windage: 25Kgf.



Wall Mounted Tilt-Away Pole
Model Ref Shown: 5WPTA500

Height Range
- 2.5m
- 3.0m
- 4.0m
- 5.0m
- 6.0m

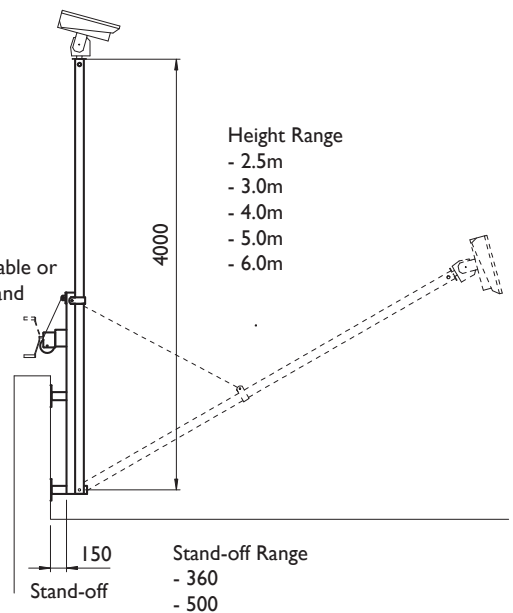
Wall mount

Corner Mount

Removable or
fixed hand
winch

Stand-off Range
- 330
- 400
- 500

Parapet Mounted Tilt-Away Pole
Model Ref Shown: 4PMTA150



Height Range
- 2.5m
- 3.0m
- 4.0m
- 5.0m
- 6.0m

Removable or
fixed hand
winch

Stand-off Range
- 360
- 500

Standards Applicable

- Structural Steelwork: BS EN 10210-1:1994, BS EN 10210-2:1997
- General Steelwork: BS1449:1991, BS1387:1985, BS EN 10025:1993
- Hot Dipped Galvanized: BS EN ISO 1461:2009
- Welding Procedures: Comply with BS EN 1011-2:2001
- Fasteners: Grade 8.8 BS3692:2001, BS4190:2001, DIN931, DIN934
- Design Wind Loading: In accordance with CP3, chapter V Pt 2 & BS 6399 Pt 2:1997
- Paint Finishes: BS4800 and RAL colour range

Product Ref & Ordering Information

