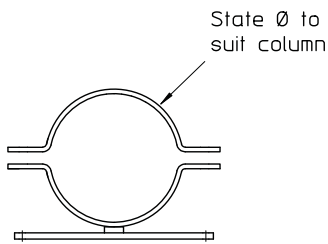
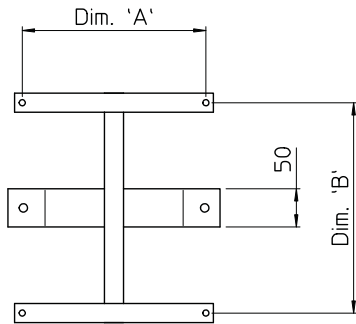
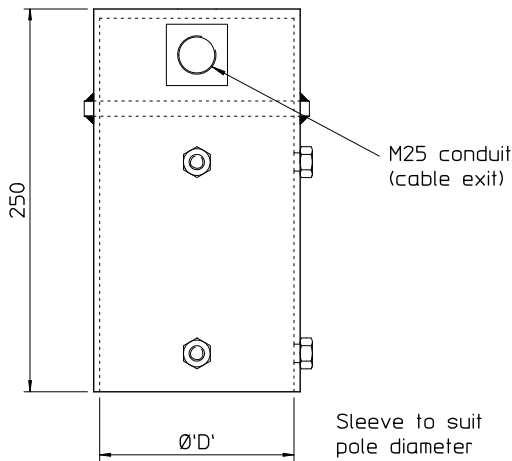
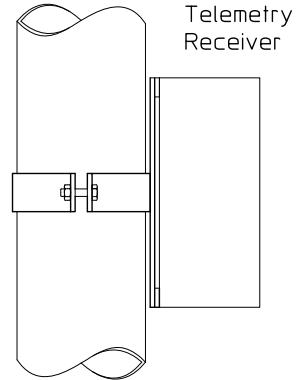


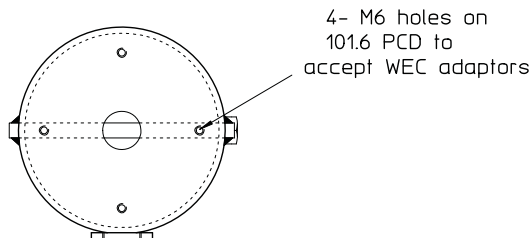
TBC
Clamp on Telemetry bracket



	Dim A	Dim B
ZR4 WBX	255	534
ZR3 WBX	240	180
ZR4 MINI	254	254
ZR3 MINI	254	254
7361 WBX	254	254
7362 WBX	254	254



Top Hat Adaptor
TPMA\ ___ (Pole diam)



General Steelwork:
BS 1449:1991, BS 1387:1985
BS EN 10025:1993

Structural Steelwork:
BS EN 10210-1:1994
BS EN 10210-2:1997

Hot Dipped Galvanized:
BS EN ISO 1461:2009

Welding Procedures:
Comply with BS EN 1011-2:2001

Fasteners:
Grade 8.8 BS 3692:2001
BS 4190:2001 DIN931, DIN934

Design Wind Loading:
In accordance with CP3 chapter
V Pt 2 & BS 6399 Pt 2:1997

Paint finishes:
BS 4800 & RAL colour range

