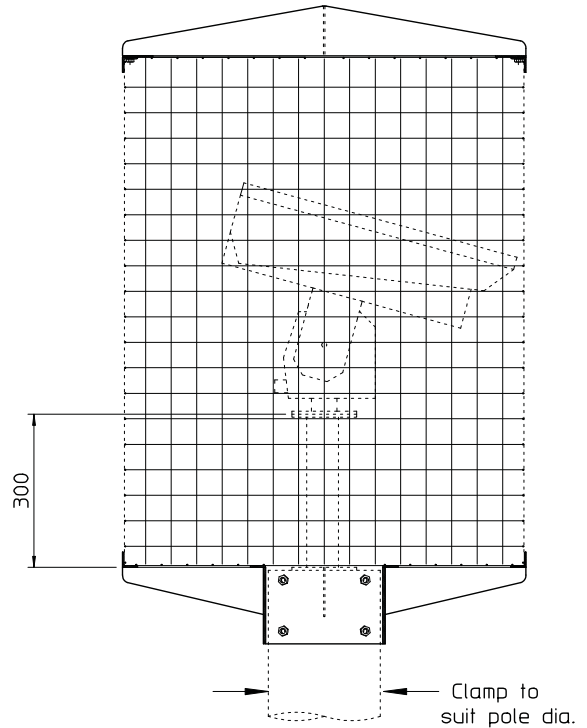
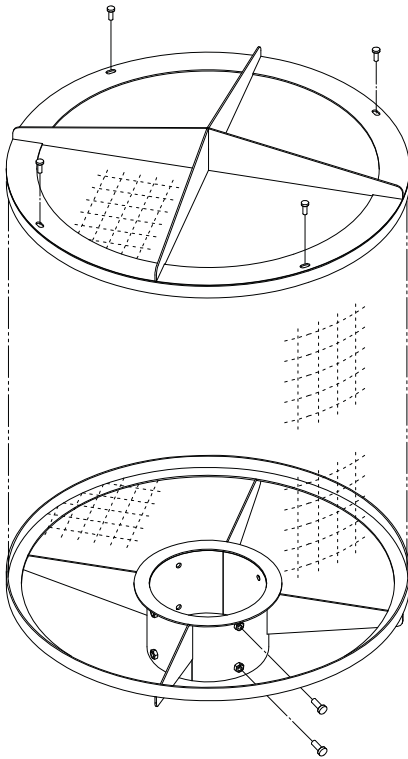
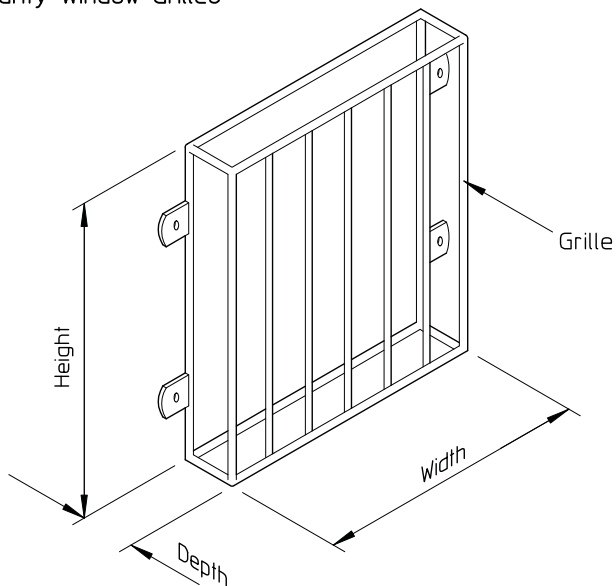
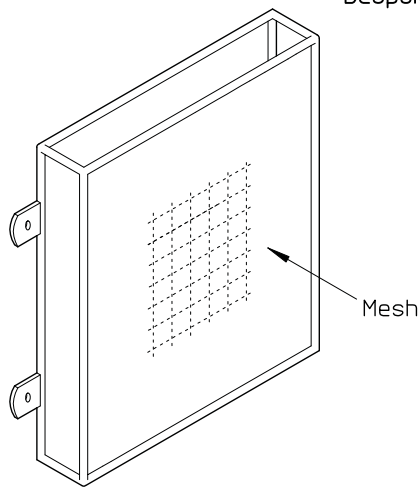


Model C/TPM
Pole Top Cage for PTZ Cameras



Bespoke Security Window Grilles



Standards Applicable

General Steelwork:
BS 1449:1991, BS 1387:1985
BS EN 10025:1993

Structural Steelwork:
BS EN 10210-1:1994
BS EN 10210-2:1997

Hot Dipped Galvanized:
BS EN ISO 1461:2009

Welding Procedures:
Comply with BS EN 1011-2:2001

Fasteners:
Grade 8.8 BS 3692:2001
BS 4190:2001 DIN931, DIN934

Design Wind Loading:
In accordance with CP3 chapter
V Pt 2 & BS 6399 Pt 2:1997

Paint finishes:
BS 4800 & RAL colour range



All WEC products are subject to ongoing development. Therefore, we reserve the right to make technical modifications without notice.
BRITANNIA HOUSE, JUNCTION STREET, DARWEN, LANCASHIRE, BB3 2RB. TEL: (01254) 700200. FAX: (01254) 873637. E-MAIL: all@wec.uk.net