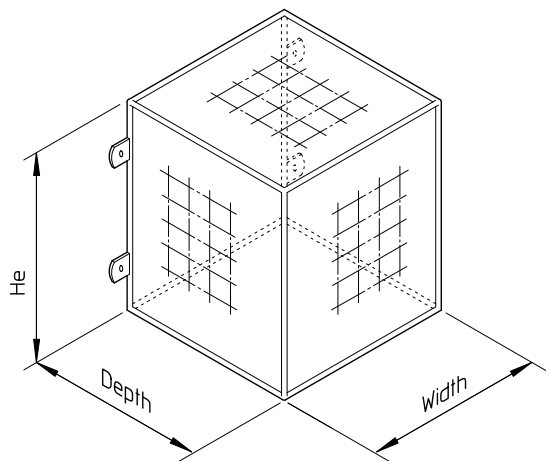
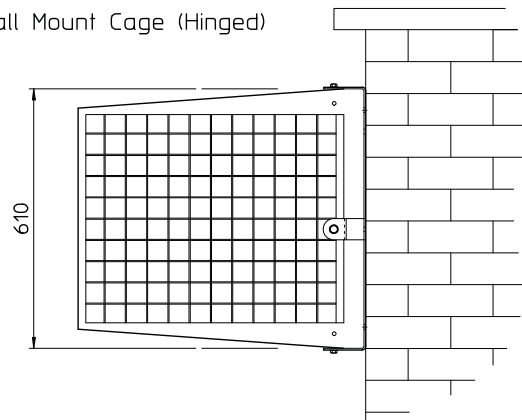


All dimensions in mm unless otherwise stated

Model C450
Wall Mount Cage

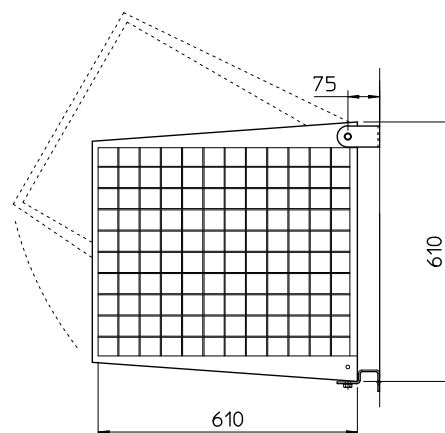


Model C600H
Wall Mount Cage (Hinged)



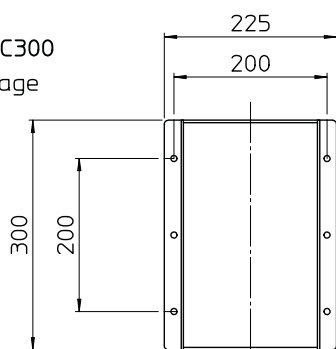
Description

C450	7d
C450H	as above, but hinged from wall
C600	610h x 610w
C600H	as above, but hinged from wall
C646	610h x 450w x 610d
C600H	as above, but hinged from wall

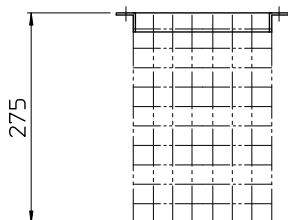


Plan Elevation

Model RWC300
Redwall cage



6-Ø8 holes



Standards Applicable

General Steelwork:
BS 1449:1991, BS 1387:1985
BS EN 10025:1993

Structural Steelwork:
BS EN 10210-1:1994
BS EN 10210-2:1997

Hot Dipped Galvanized:
BS EN ISO 1461:2009

Welding Procedures:
Comply with BS EN 1011-2:2001

Fasteners:
Grade 8.8 BS 3692:2001
BS 4190:2001 DIN931, DIN934

Design Wind Loading:
In accordance with CP3 chapter
V Pt 2 & BS 6399 Pt 2:1997

Paint finishes:
BS 4800 & RAL colour range