

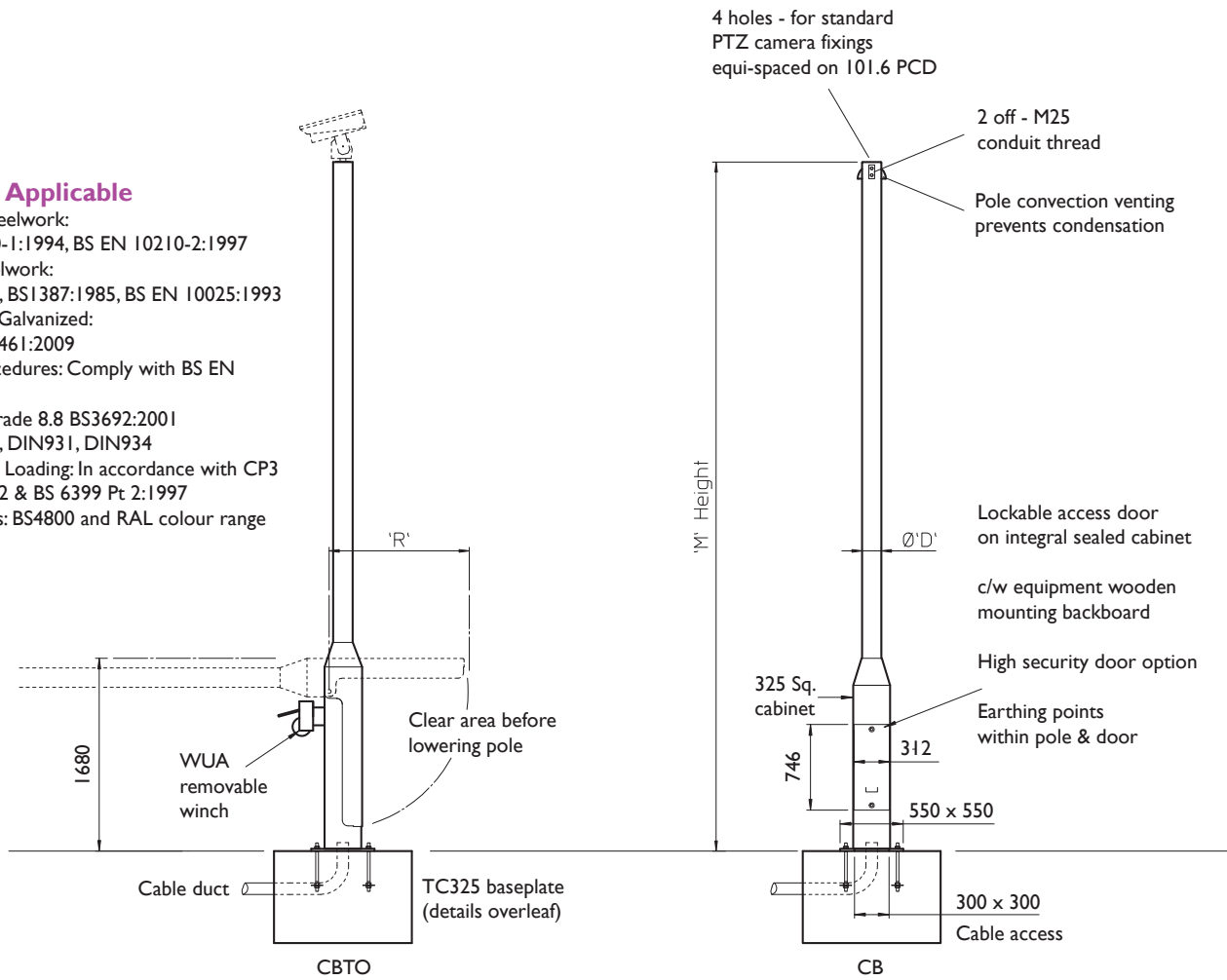
Technical Specification

Model Ref.	'M' Height	Tilting rear clearance 'R'	Maximum equipment capacity	Shaft diameter 'D'	Weight Kgs	Winch Selection
CB4	4 metres	n/a	25Kg.	Ø139	175Kgs.	n/a
CBTO4		1220	25Kg.	Ø139	222Kgs.	WUA
CB5	5 metres	n/a	25Kg.	Ø139	195Kgs.	n/a
CBTO5		1220	25Kg.	Ø139	242Kgs.	WUA
CB6	6 metres	n/a	25Kg.	Ø139	215Kgs.	n/a
CBTO6		1220	25Kg.	Ø139	262Kgs.	WUA
CB8	8 metres	n/a	25Kg.	Ø139	255Kgs.	n/a
CBTO8		1220	25Kg.	Ø139	302Kgs.	WUA

All dimensions in mm unless otherwise stated

Standards Applicable

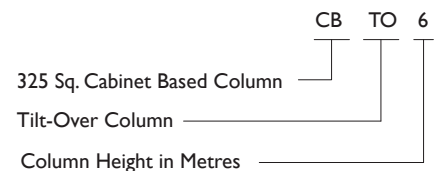
- Structural Steelwork: BS EN 10210-1:1994, BS EN 10210-2:1997
- General Steelwork: BS1449:1991, BS1387:1985, BS EN 10025:1993
- Hot Dipped Galvanized: BS EN ISO 1461:2009
- Welding Procedures: Comply with BS EN 1011-2:2001
- Fasteners: Grade 8.8 BS3692:2001 BS4190:2001, DIN931, DIN934
- Design Wind Loading: In accordance with CP3 chapter V Pt 2 & BS 6399 Pt 2:1997
- Paint Finishes: BS4800 and RAL colour range



Accessories & Adaptors

CB(TO)/ACB	Anti-Climb Bracket	CB(TO)/CS150-300	Column Spacers 150mm-300mm
CB(TO)/Paint	Paint to BS4800 & RAL Colours	CB(TO)/TBC	Telemetry Clamp Bracket
CB(TO)/SDA	Swept Dome Adaptor	CB(TO)/HSD-F	High Security Door Option
CB(TO)/SDA2	Swept Dome Adaptor Dual	CB(TO)/LS	Ladder Support
CB(TO)/PT1-S2	1 Pan & Tilt c/w 2 Static Adaptors		
CB(TO)/TPTA	Twin Pan & Tilt Adaptors		
CB(TO)/2SA	Twin Static Adaptor		
CB(TO)/ISA	Pan & Tilt - Single Fixed		

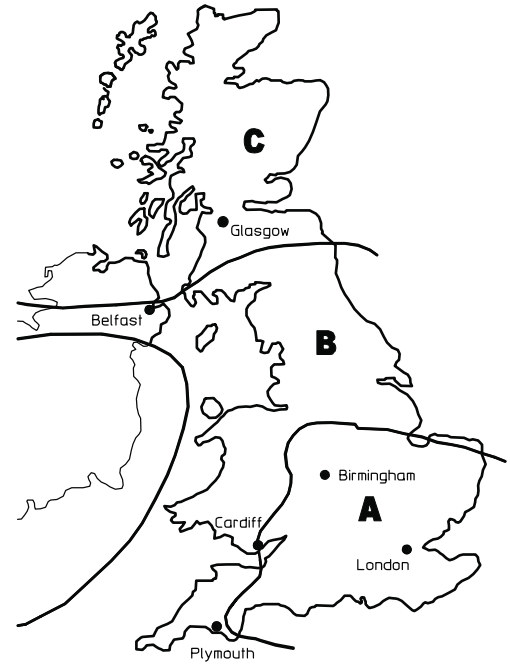
Product Ref & Ordering Information



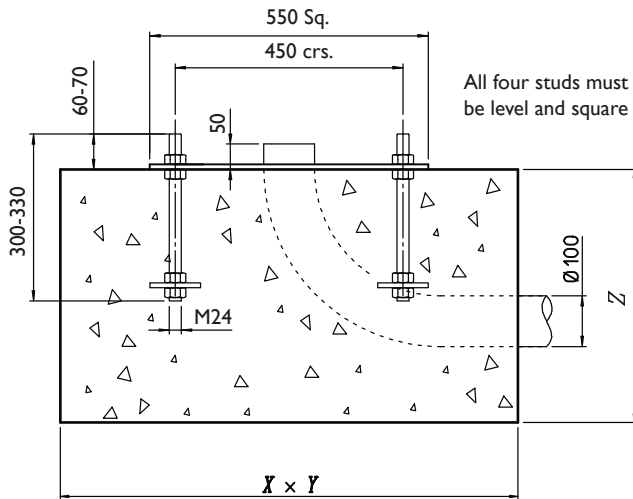
Base and Windload Specification

Concrete Foundation Table X x Y x Z							
Model Ref	Height	Area of Country			Area of Town		
		A	B	C	A	B	C
CB3	3m	0.8x0.8x 0.4m Dp.	0.8x0.8x 0.4m Dp.	9x0.9x 0.45m Dp.	0.8x0.8x 0.4m Dp.	0.8x0.8x 0.4m Dp.	0.8x0.8x 0.4m Dp.
CB4 CBTO4	4m	0.9x0.9x 0.45m Dp.	0.9x0.9x 0.45m Dp.	0.9x0.9x 0.45m Dp.	0.8x0.8x 0.4m Dp.	0.8x0.8x 0.4m Dp.	0.9x0.9x 0.45m Dp.
CB5 CBTO5	5m	1.0x1.0x 0.5m Dp.	1.0x1.0x 0.5m Dp.	1.0x1.0x 0.5m Dp.	0.9x0.9x 0.45m Dp.	0.9x0.9x 0.45m Dp.	1.0x1.0x 0.5m Dp.
CB6 CBTO6	6m	1.1x1.1x 0.55m Dp.	1.1x1.1x 0.55m Dp.	1.2x1.2x 0.6m Dp.	1.0x1.0x 0.5m Dp.	1.0x1.0x 0.5m Dp.	1.1x1.1x 0.55m Dp.
CB8 CBTO8	8m	1.2x1.2x 0.6m Dp.	1.3x1.3x 0.65m Dp.	1.4x1.4x 0.7m Dp.	1.1x1.1x 0.55m Dp.	1.2x1.2x 0.6m Dp.	1.2x1.2x 0.6m Dp.

A minimum soil bearing pressure of 75 KN/m² is assumed



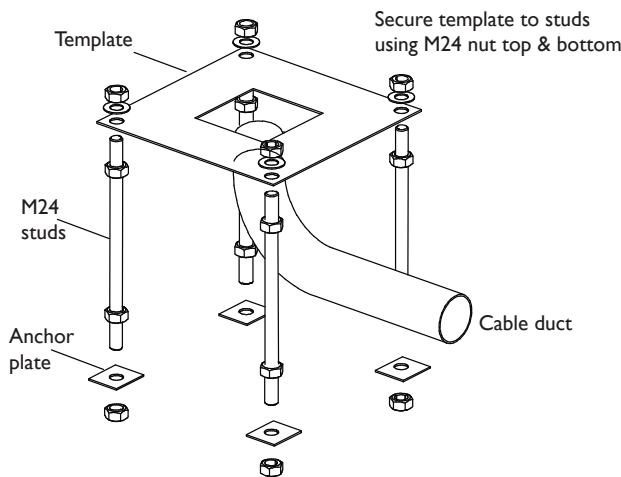
Fixed & Tilt-Over Cabinet Base



TC325 Root

fig. 1

TC325 Root Assembly



Installation Method

1. From the map, select location of installation
2. Excavate as per recommended area and depth
3. Assemble root base as shown in fig. 1
4. Insert root base into the hole ensuring that it is level and that the four studs protrude 60-70mm above the concrete foundation
5. Fit the cable duct if routing via the interior of the column. A plastic pipe of approximately 100mm outside diameter is recommended for this. Ensure this protrudes through the template by 50mm minimum.
6. Pour concrete ensuring that it is a mix of C35 to table 6 BS 8110 and then tamp down well
7. Fit the setting template over the four protruding studs, double-checking that they are level and that clear access can be gained to the cable duct if it is being used
8. Leave the concrete to cure for a minimum of 72 hours prior to attempting to erect the column
9. When fitting the column, ensure that the concrete base is in complete contact with the underside of the column and grout accordingly. Torque the nuts to 230-270 Nm (175-200 fl. lb.)
10. When the column has been fitted, protect the studs with a suitable protective coating. Denzo tape or similar is recommended for this

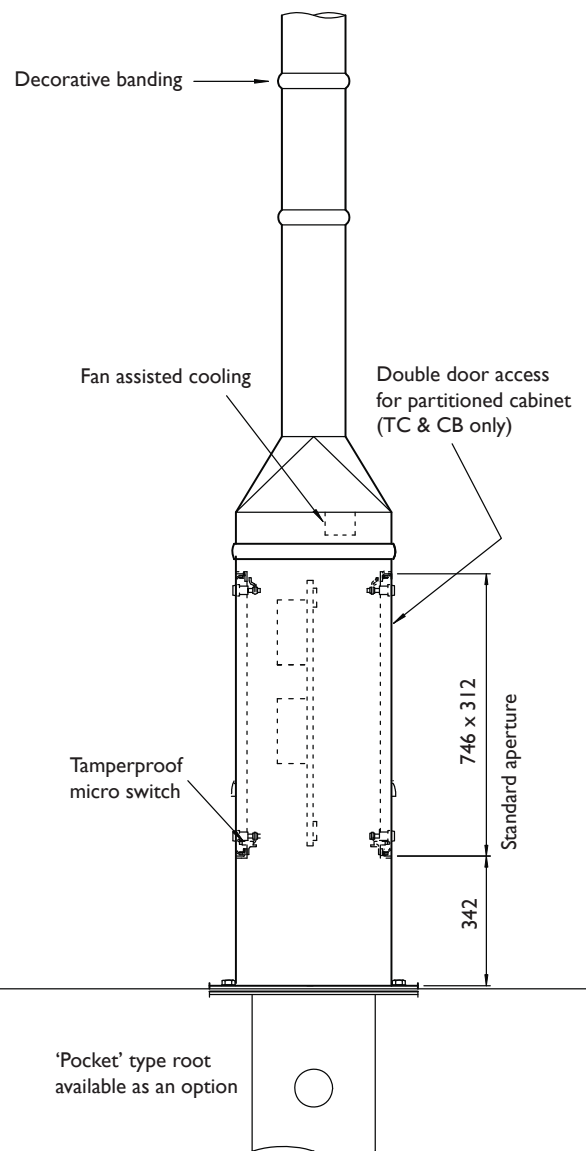
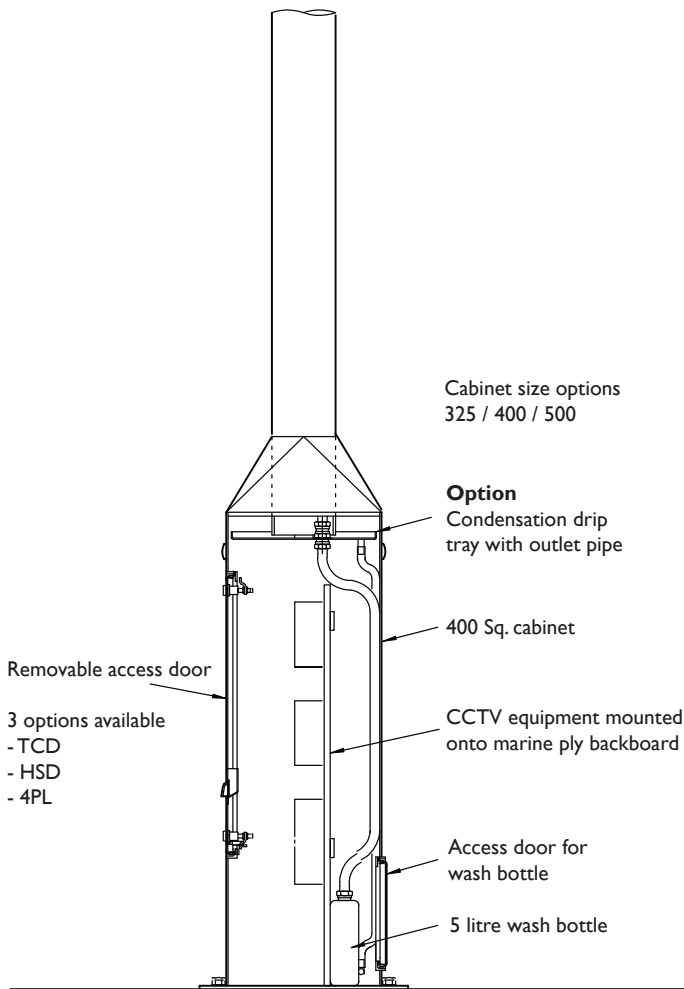
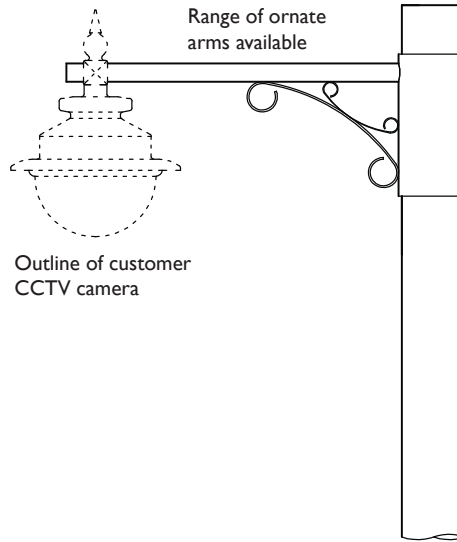
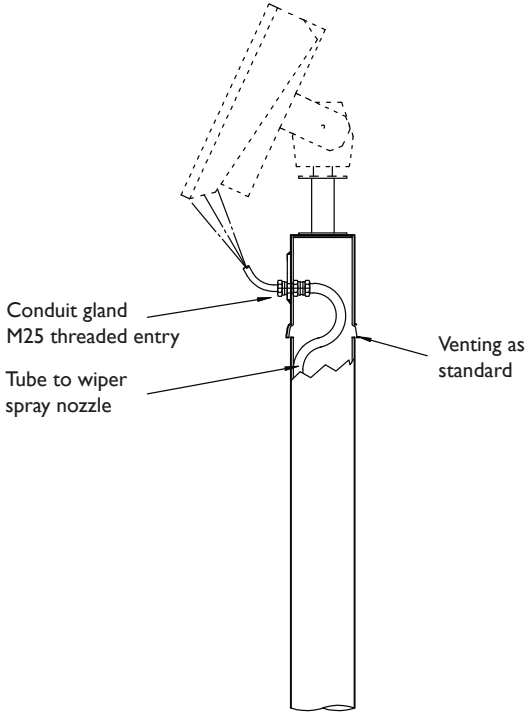
Foundation sizes are determined for three sets of wind speeds, which will cover most of the British Isles.

- Area A = 44m/s (98mph)
- Area B = 48m/s (107mph)
- Area C = 52m/s (116mph)

Maximum gust speed is likely to be exceeded on average once every 50 years at 10m above the ground in open level country.



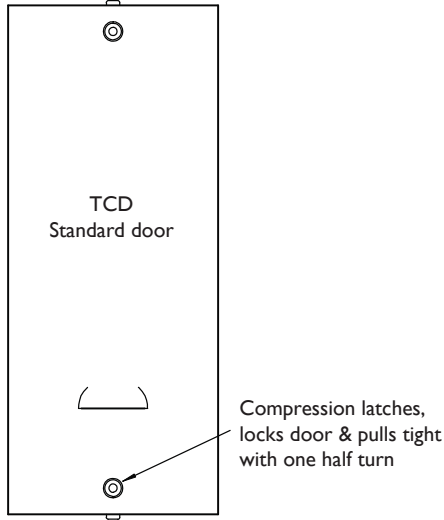
Fixed & Tilt-Over Cabinet Base TC, CB, TCTO, CBTO Accessories



Optional Extras

Door Options

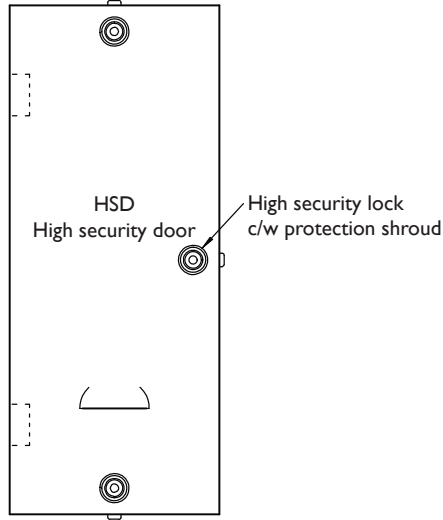
Moderate risk area
2 point locking



One key required

- Louvered door
- Close fitting and flush door
- Self grip rubber door seal
- Secure compression locks
- Earthing lugs

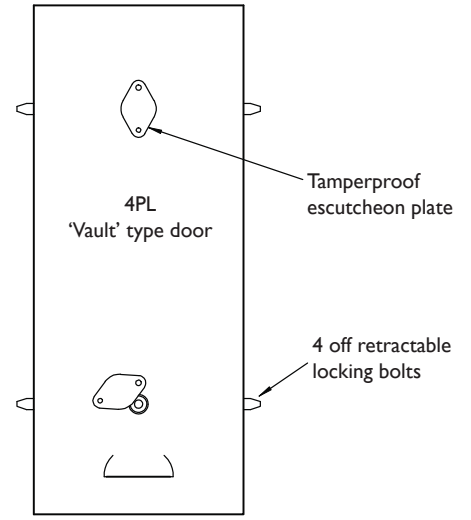
High risk area
3 point locking



Two keys required

- Louvered door
- Close fitting and flush door
- Self grip rubber door seal
- 2 secure compression locks and 1 high security lock
- Earthing lugs
- Protection shrouds for each lock

Very high risk area
4 point locking



Three keys required

- Louvered door
- Close fitting and flush door
- 2 high security locks
- Earthing lugs
- Tamperproof escutcheons for each lock
- Stainless steel locking mechanism

